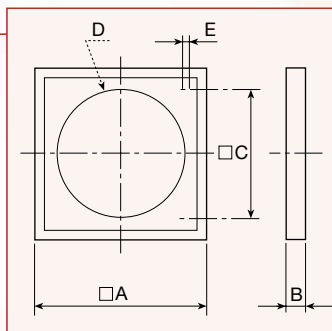


# LOUVRE BACK DRAFT SHUTTERS

## PER-W Plastic louvre back draft shutters



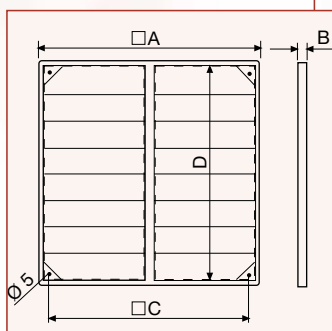
From 100 up to 500 models



Model	Ø A	B	C	Ø D	Ø E
PER-100 W	123	12	90	98	4
PER-125 W	158	15	110	130	4
PER-160 W	178	20	130	152	4
PER-200 W	243	21	184	205	5
PER-250 W	294	26	233	260	5
PER-355 W	394	26	310	360	5
PER-400 W	457	26	365	420	5
PER-450 W	499	31	395	460	5
PER-500 W	548	31	443	510	5



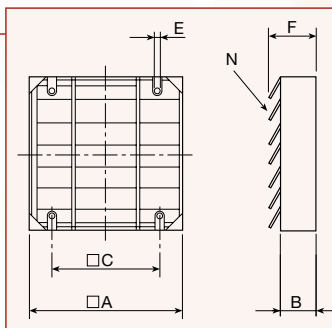
From 100 up to 560 models



Model	Ø A	D	Ø C	B
PER-560 W	605	565	522	28
PER-630 W	696	655	626	31
PER-710 W	760	720	692	40
PER-800 W	840	800	772	40
PER-1000 W	1040	1000	972	40

**Louvre back draft shutters** manufactured totally from UV stabilized plastic material. Supplied as standard in grey colour. Suitable for agricultural exhaust or supply air applications (high protection against corrosion).

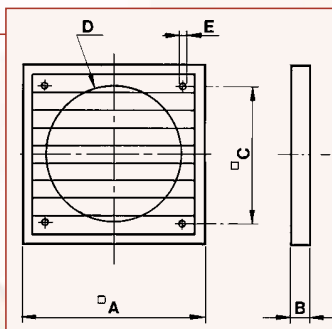
## PER-CN Aluminium louvre back draft shutters



Model	Ø A	B	Ø C	Ø E	F	N
PER-250 CN	333	40	287	8	104	6
PER-355 CN	398	40	352	8	104	7
PER-400 CN	428	40	405	8	104	8
PER-450 CN	478	40	458	8	104	9
PER-500 CN	528	40	511	8	104	10
PER-630 CN	700	50	590	10	187	5
PER-710 CN	800	50	690	10	187	6
PER-800 CN	900	50	790	10	187	7
PER-1000 CN	1100	50	990	10	187	8

**Louvre back draft shutters** with steel frame and aluminium shutter blades. Frame supplied as standard in grey colour. All models are fitted with bird guard.

## PER-EX Louvre back draft shutters



Model	A	B	C	Ø D	Ø E
PER-200 EX	244	22	182	210	5
PER-315 EX	344	26	275	314	5
PER-355 EX	397	26	310	360	5
PER-400 EX	459	26	364	420	5
PER-450 EX	501	31	395	460	5
PER-500 EX	549	31	445	510	5
PER-560 EX	605	28	552	564	5
PER-630 EX	696	31	626	655	5
PER-710 EX	760	40	692	720	5

**Explosion proof versions** for zone 1 and zone 2.

- Automatic.
- Frame and blades in plastic material.
- Black colour.
- Air maximum speed 12 m/s.